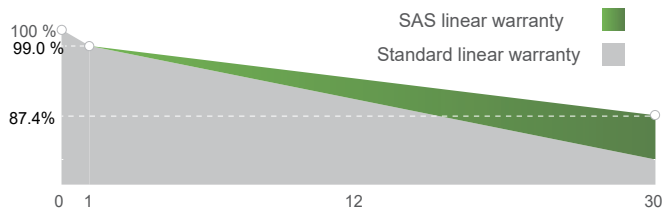


SAS-75N-type(182mm Cell)

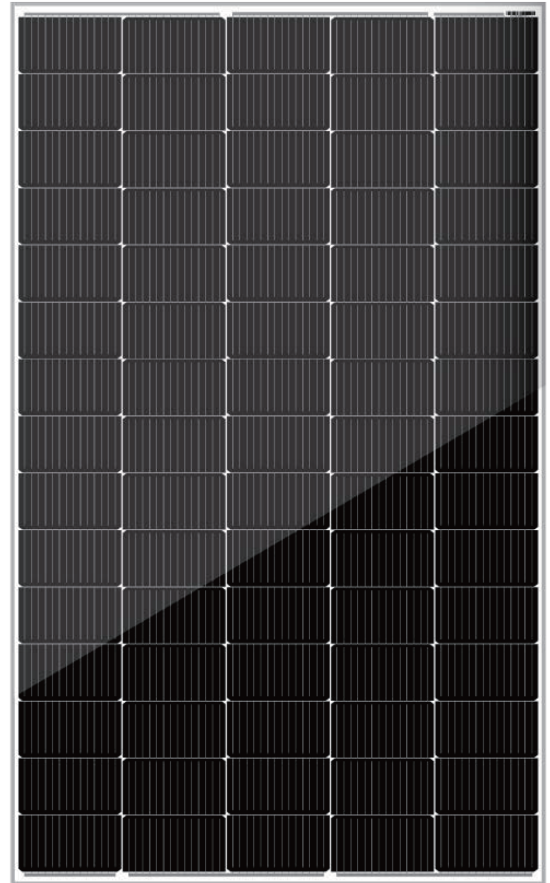
330-340 Watt

MONOFACIAL MODULE

Industry-leading Warranty based on nominal power



0.4% Annual Degradation over 30 Years
12 Year Product Warranty
30 Year Linear Power Warranty



Features



SMBB Technology

Better light trapping and current collection to improve module power output and reliability.



Hot 2.0 Technology

The N-type module with Hot 2.0 technology has better reliability and lower LID/LETID.



Excellent weak light performance

More power output in weak light condition, such as cloudy, morning and sunset



Extended wind and snow load tests

Module certified to withstand extreme wind (2400 Pascal) and snow loads (5400 Pascal) *



PID Resistance

Excellent Anti-PID performance guarantee via optimized mass-production process and materials control.



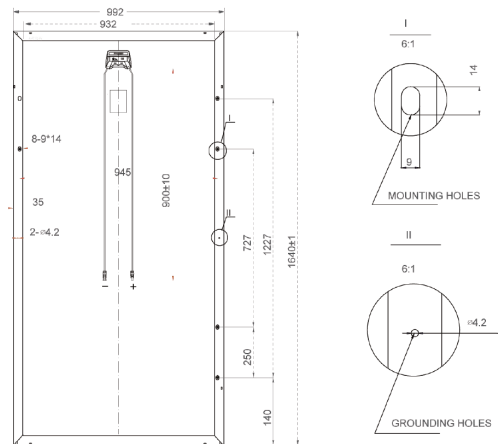
Lower LCOE

Higher bifaciality, higher power output and lower BOS cost

SAS-75N-type(182mm Cell)

MECHANICAL SPECIFICATIONS

Cell Type	N type Mono-crystalline
Cell Arrangement	75 (5*15)
Weight	18.00KG
Module Dimensions	1640*992*35mm
Cables	4.0mm,+300mm or Customized length
Front Glass	3.2mm, Anti-Reflection Coating
No. of Bypass	3
DiodesPacking Configuration	31pcs/pallet, 952pcs/40HQ
Frame	Anodized Aluminium Alloy
Junction Box	IP68



ELECTRICAL SPECIFICATIONS

Module Type	SAS330N-75M10	SAS335N-75M10	SAS340N-75M10
Testing Condition	STC	STC	STC
Rated output (Pmp/Wp)	330	335	340
Maximum Power Voltage(Vmpp/V)	45.10	45.30	45.50
Maximum Power Current(Imp/A)	7.26	7.31	7.36
Open Circuit Voltage(Voc/V)	52.30	52.45	52.47
Short Circuit Current(Isc/A)	7.36	7.44	7.52
Module efficiency(%)	20.3%	22.6%	20.9%
Power Tolerance (W)	0~+5	0~+5	0~+5

STC: Irradiance 1000W/m², Cell Temperature 25°C, Air Mass AM1.5 NMOT: Irradiance at 800W/m², Ambient Temperature 20°C, Air Mass AM1.5, Wind Speed 1m/s

MAXIMUM RATINGS

Maximum System Voltage	1500V DC(IEC)
Operating Temperature	-40°C~ +85°C
Maximum Series Fuse	15A
Static Loading	Snow Loading:5400Pa/ Wind Loading:2400Pa
Protection Class	II
Fire Type	Class C (IEC)
Bifacial	80+5%

TEMPERATURE CHARACTERISTICS

NMOT Temperature	45°C+2°C
Temperature Coefficient (Pmax)	-0.41%/°C
Temperature Coefficient (Voc)	-0.33%/°C
Temperature Coefficient (Isc)	0.06%/°C

CURVE & TEMPERATURE DEPENDENC

