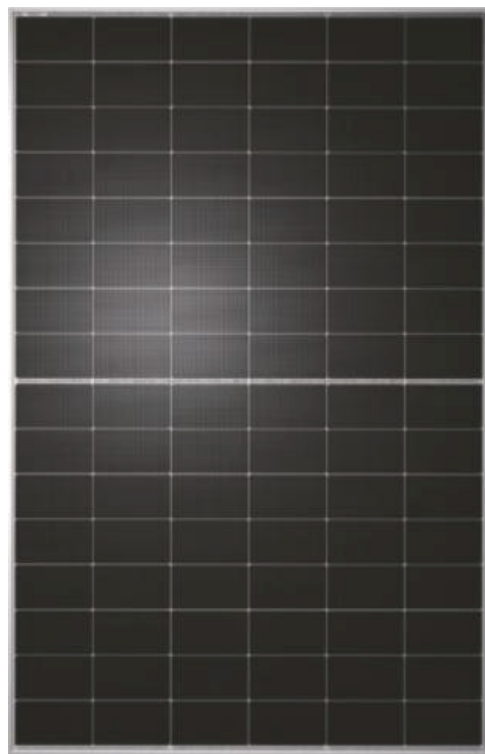


# 435-455W Mono

## 96 Half-Cell Layout

### G12R N-TYPE Cell



N-TYPE TOP CON Cell Technology



SMBB Half Cut Cell Technology



Bifacial Cell Module Technologies



Excellent Anti-PID Low LID Performance



Less Hot Spot Shading Effects



Higher Power Output Lower BOS & LCOE

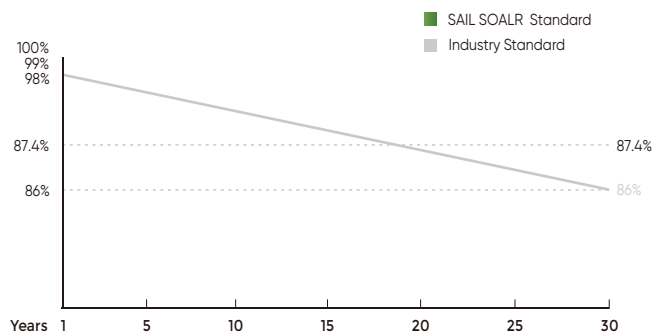
- ISO9001:2015QMS
- ISO14001:2015 EMS
- ISO45001:2018 OHSMS
- IEC61215/IEC61730 Standard Quality
- IEC61701/IEC62716 Salt/Mist/Ammonia Tests



**30**  
years  
POWER WARRANTY

**15**  
years  
PRODUCT WARRANTY

### Linear Performance Warranty



# SAIL SOLAR Mono 1435 - 455W

## ELECTRICAL PARAMETERS

POWER CLASS	SAS435N-96G12R	SAS440N-96G12R	SAS445N-96G12R	SAS450N-96G12R	SAS455N-96G12R
	STC	STC	STC	STC	STC
Maximum power (Pmax)	435W	440W	445W	450W	455W
Open Circuit Voltage (Voc)	34.71V	34.96V	35.20V	35.43V	35.67V
Short Circuit Current (Isc)	15.74A	15.80A	15.86A	15.92A	15.98A
Voltage at Maximum power (Vmpp)	29.35V	29.57V	29.79V	30.00V	30.21V
Current Maximum Power (Impp)	14.82A	14.88A	14.94A	15.00A	15.06A
MODULE EFFICIENCY (%)	21.77%	22.02%	22.27%	22.52%	22.65%

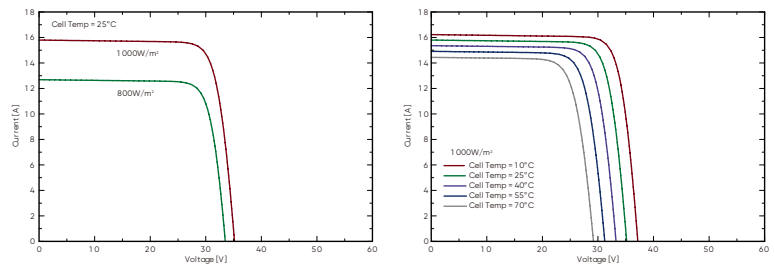
STC: Irradiance 1000W/m<sup>2</sup>, cell temperature 25°C, AM1.5G

## PACKING CONFIGURATION

Container	40'HQ
Pieces per pallet	36
Pallets per container	26
Pieces per container	936

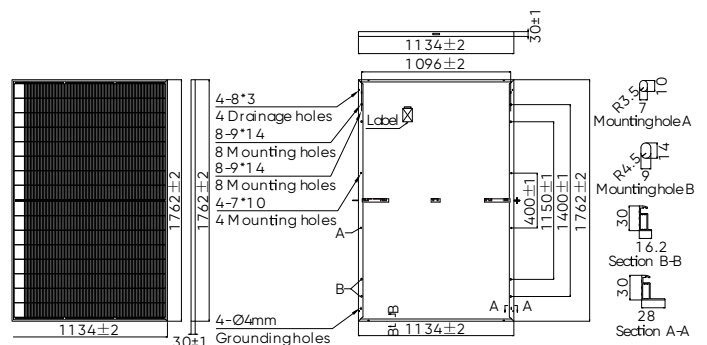
## I-V CURVE

SAS445N-96G12R/I-V



## MECHANICAL CHARACTERISTICS

Solar Cells	N-type Mono
No. of Cells	96 (6x16)
Dimensions	1762 x 1134 x 30mm
Weight	21.0kg
Front Glass	3.2mm coated tempered glass
Frame	Anodized aluminium alloy (reinforced high-load optional)
Junction Box	Ip68 rated (3 by pass diodes)
	4.0mm <sup>2</sup>
Output Cables	250mm (+) / 350mm (-)
	Length can be customized
Connectors	Mc4 compatible
Mechanical load test	Front 5400Pa / Rear 2400Pa



## OPERATING CHARACTERISTICS

Operating Module Temperature	-40°C to +85°C
Maximum System Voltage	1500 DC (IEC)
Maximum Series Fuse Rating	30A
Power Tolerance	0/+5W

## TEMPERATURE CHARACTERISTICS

Nominal Operating Temperature (NMOT)	45±2°C
Temperature Coefficient of Pmax	-0.29%/°C
Temperature Coefficient of Pmax	-0.25%/°C
Temperature Coefficient of Pmax	+0.045%/°C