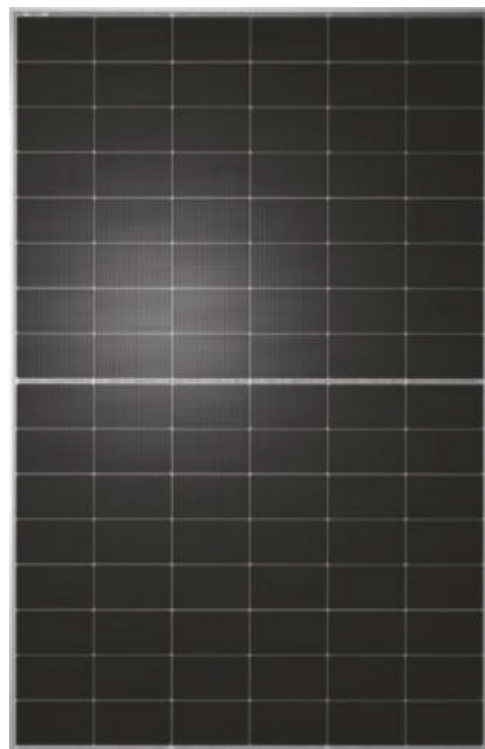


435-455W Mono

96 Half-Cell Layout BIFACIAL DG

G12R N-TYPE Cell



N-TYPE TOP CON Cell Technology



SMBB Half Cut Cell Technology



Bifacial Cell Module Technologies



Excellent Anti-PID Low LID Performance



Less Hot Spot Shading Effects



Higher Power Output Lower BOS & LCOE

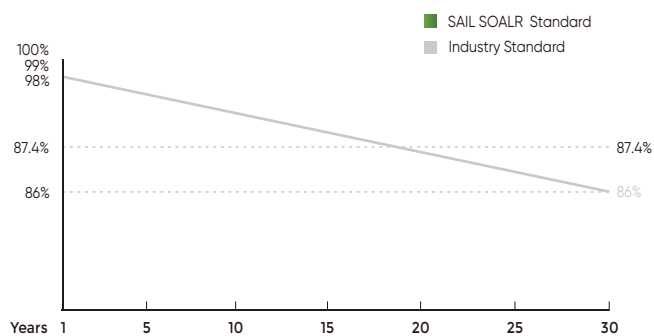
- ISO9001:2015QMS
- ISO14001:2015 EMS
- ISO45001:2018 OHSMS
- IEC61215/IEC61730 Standard Quality
- IEC61701/IEC62716 Salt/Mist/Ammonia Tests



30
years
POWER WARRANTY

15
years
PRODUCT WARRANTY

Linear Performance Warranty



SAIL SOLAR Mono 1435 - 455W BIFACIAL DG

ELECTRICAL PARAMETERS

POWER CLASS	SAS435N-96G12R	SAS440N-96G12R	SAS445N-96G12R	SAS450N-96G12R	SAS455N-96G12R
	STC	STC	STC	STC	STC
Maximum power (Pmax)	435W	440W	445W	450W	455W
Open Circuit Voltage (Voc)	34.49V	34.74V	34.97V	35.21V	35.45V
Short Circuit Current (Isc)	15.84A	15.90A	15.96A	16.02A	16.08A
Voltage at Maximum power (Vmpp)	29.43V	29.65V	29.87V	30.08V	30.29V
Current Maximum Power (Impp)	14.78A	14.84A	14.90A	14.96A	15.02A
MODULE EFFICIENCY (%)	21.77%	22.02%	22.27%	22.52%	22.77%

STC: Irradiance 1000W/m², cell temperature 25°C, AM1.5G

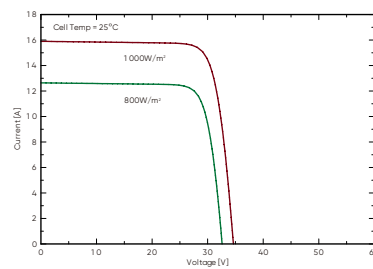
BIFACIAL OUTPUT -REAR SIDE POWER GAIN

5%	Maximum power (Pmax)	457W	462W	467W	473W	478W
	Module Efficiency STC (%)	22.86%	23.12%	23.38%	23.65%	23.91%
15%	Maximum power (Pmax)	500W	506W	512W	518W	523W
	Module Efficiency STC (%)	25.04%	25.32%	25.61%	25.90%	26.19%
25%	Maximum Power (Pmax)	544W	550W	556W	563W	569W
	Module Efficiency STC (%)	27.21%	27.53%	27.84%	28.15%	28.46%

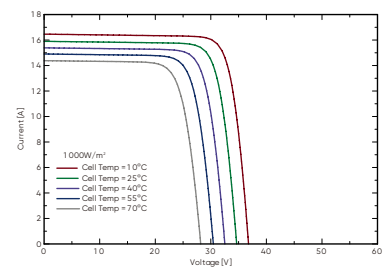
PACKING CONFIGURATION

Container	40'HQ
Pieces per pallet	36
Pallets per container	26
Pieces per container	936

I-V CURVE

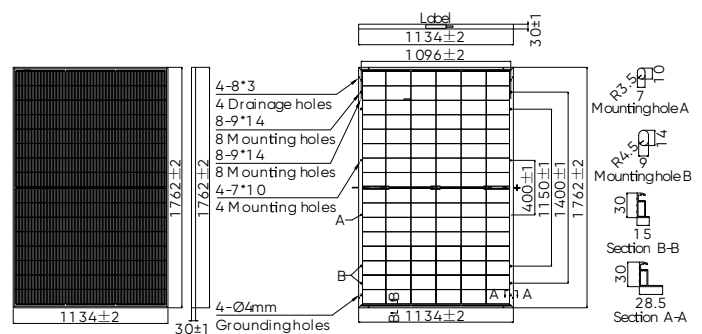


SAS440N-96G12R/I-V



MECHANICAL CHARACTERISTICS

Solar Cells	N-type Mono
No. of Cells	96 (6x16)
Dimensions	1762 x 1134 x 30mm
Weight	21.0kg
Front Glass	2.0mm coated tempered glass
Frame	Anodized aluminium alloy (reinforced high-load optional)
Junction Box	Ip68 rated (3 by pass diodes)
	4.0mm ²
Output Cables	250mm (+) / 350mm (-)
	Length can be customized
Connectors	Mc4 compatible
Mechanical load test	Front 5400Pa / Rear 2400Pa



OPERATING CHARACTERISTICS

Operating Module Temperature	-40°C to +85°C
Maximum System Voltage	1500 DC (IEC)
Maximum Series Fuse Rating	30A
Power Tolerance	0/+5W

TEMPERATURE CHARACTERISTICS

Nominal Operating Temperature (NMOT)	45±2°C
Temperature Coefficient of Pmax	-0.29%/°C
Temperature Coefficient of Pmax	-0.25%/°C
Temperature Coefficient of Pmax	+0.045%/°C